

ECLIPSE

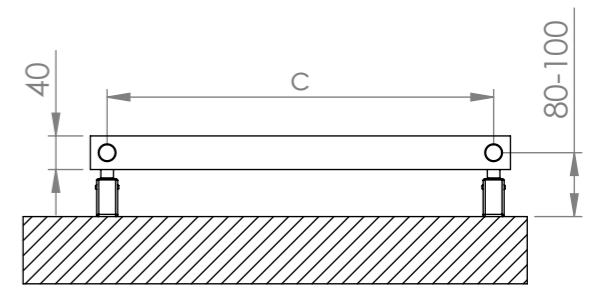
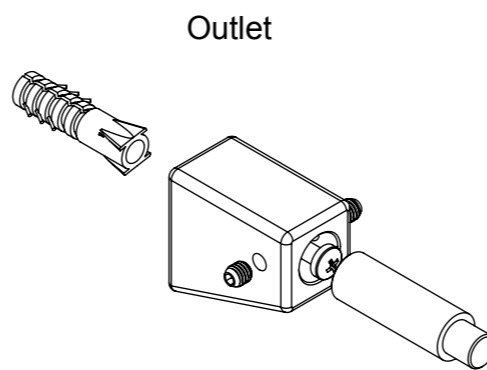
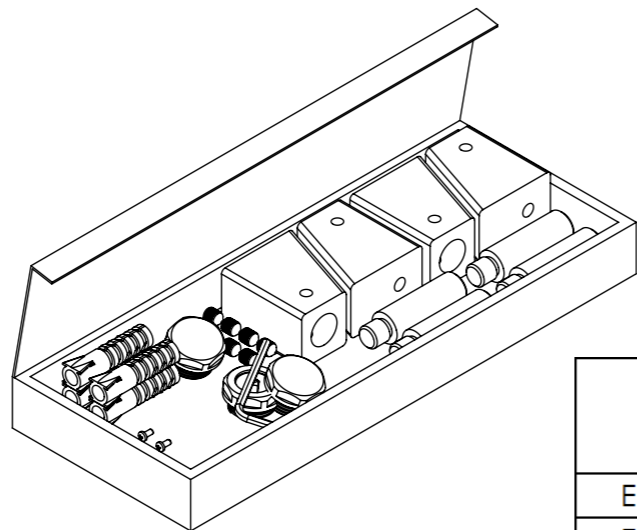
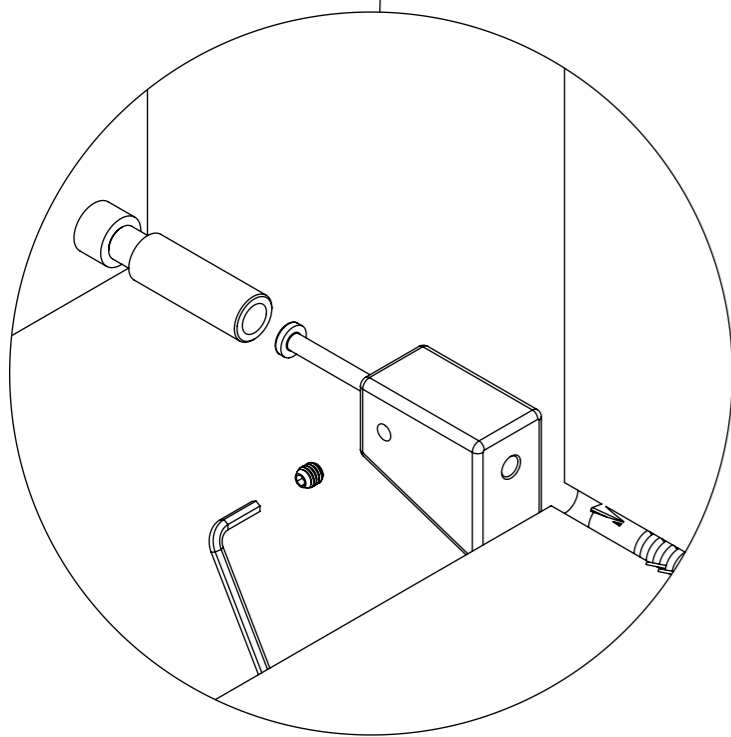
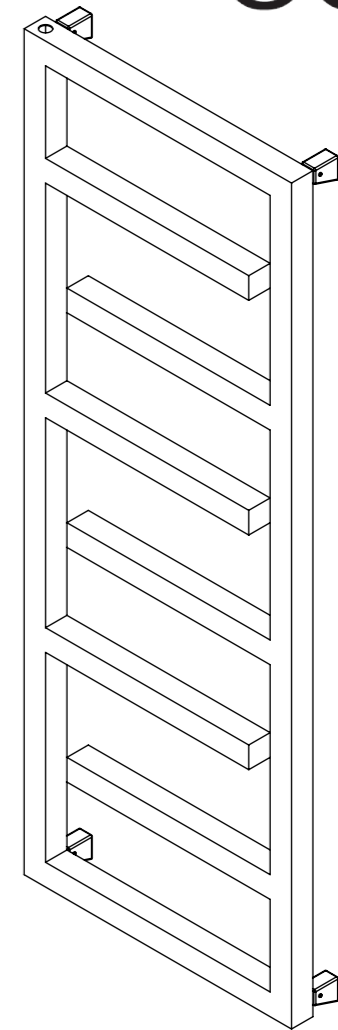
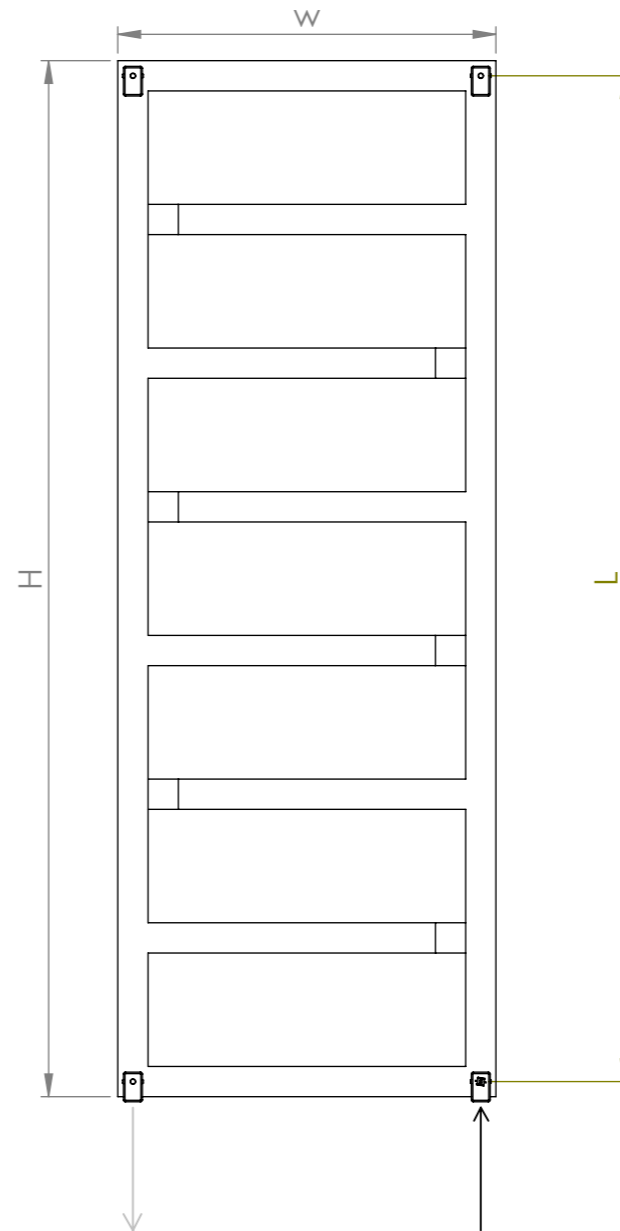
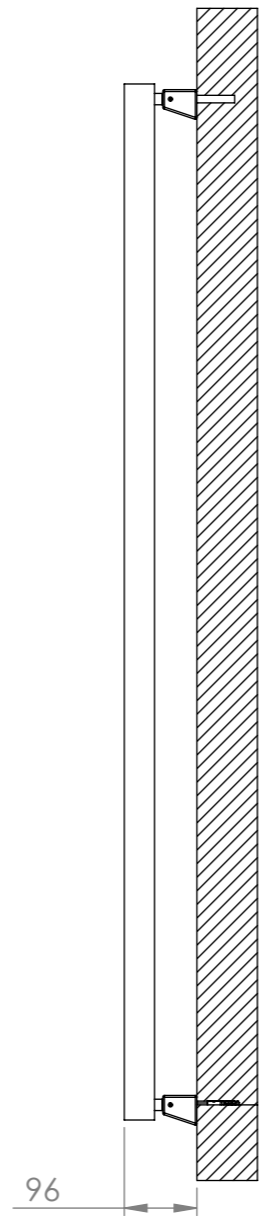
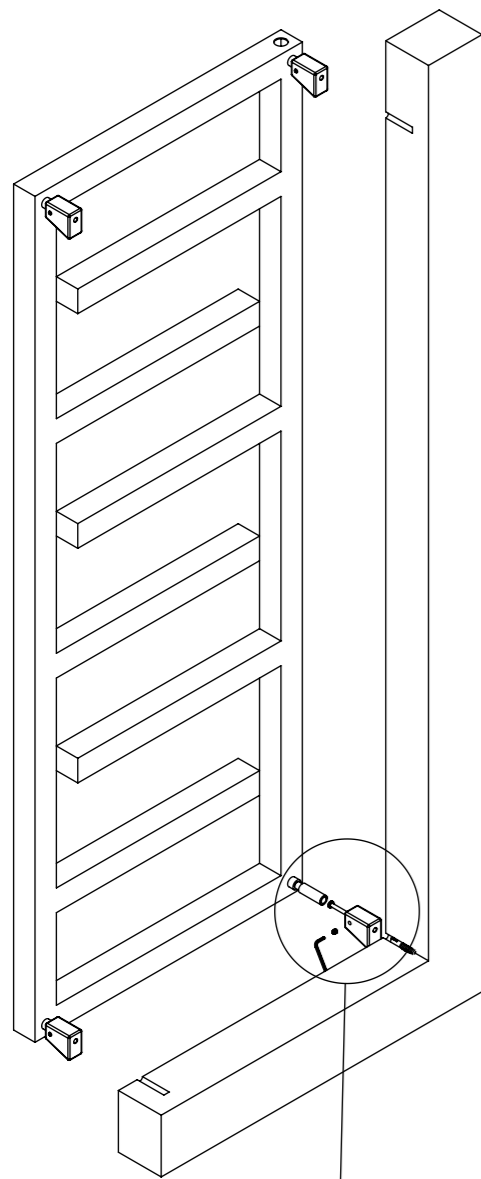


carisa[®]
design radiator

The contents of this document are property of Termosan[®] and should not be copied, reproduced or disclosed to a third party without written consent of the proprietor.

www.carisa.com.tr

www.termosan.com
info@termosan.com



Bottom View

Product Code	Width	Height	Depth	Connection Centers	Tube Quantity	Assembly Axis		Weight kg.	Water Capacity lt.
	W	H	D	C		S	L		
ECL050013700609	500	1370	50	460	6	1330	460	11,1	7,9
ECL050008800309	500	880	50	460	3	840	460	7,2	4,9
ERO050013701209	500	1370	130	460	12	1330	460	22,2	15,8
ERO050008800609	500	880	130	460	6	840	460	14,4	9,9