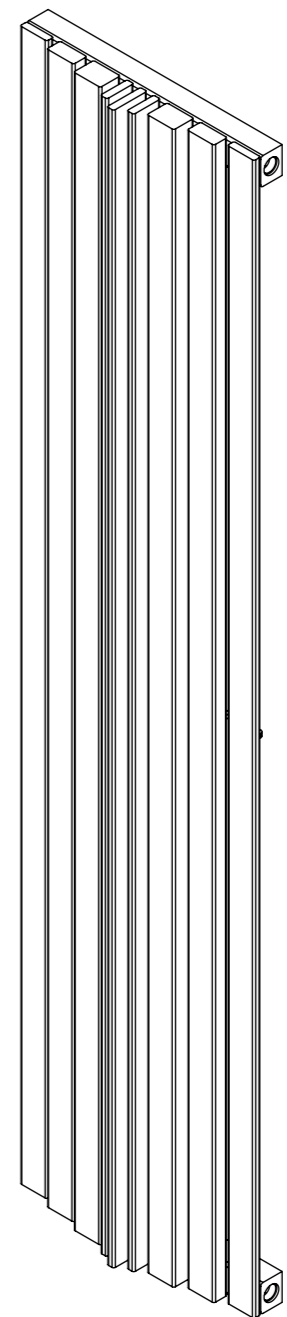
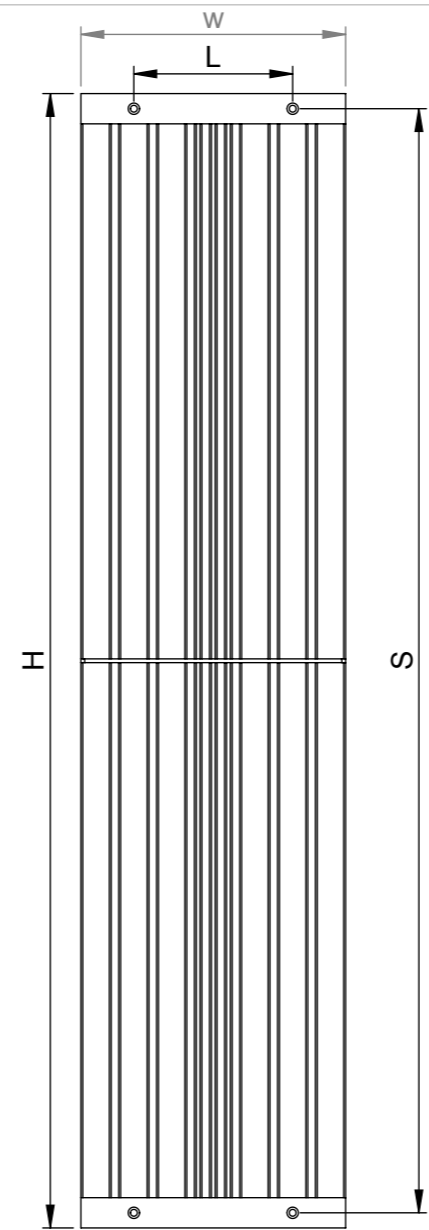
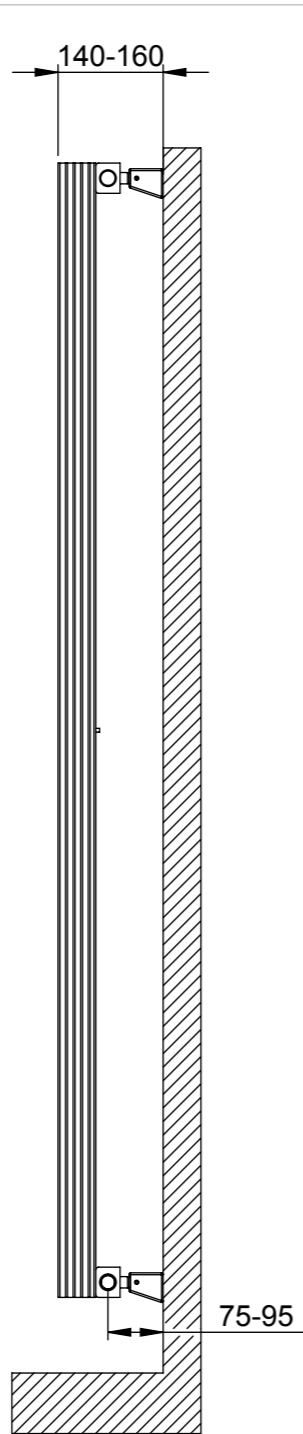
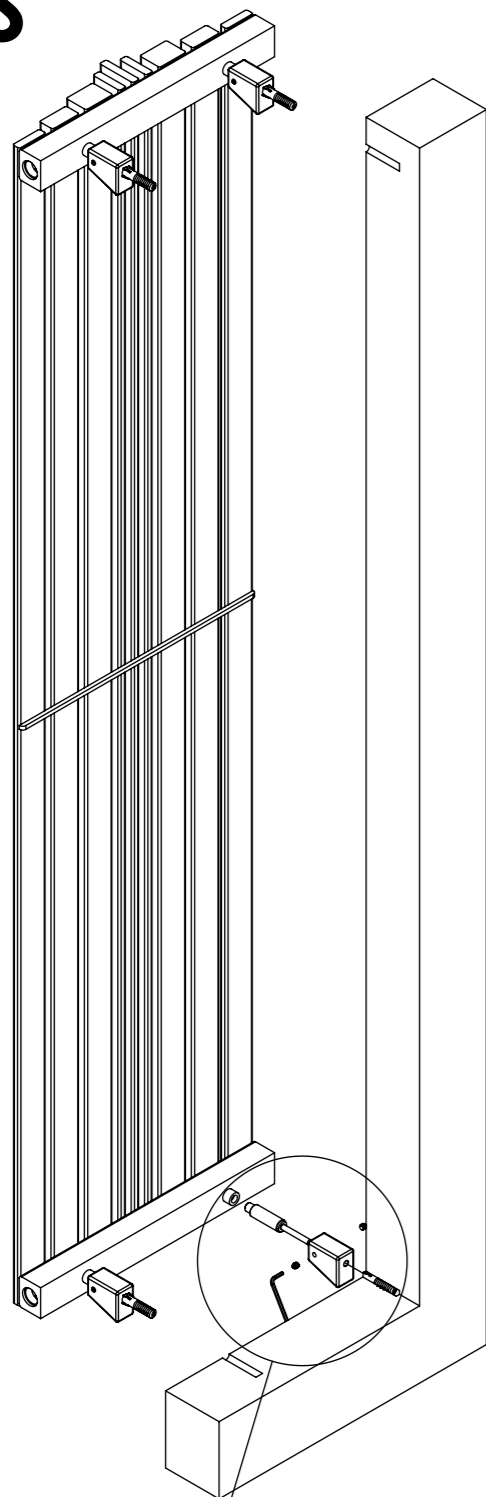


ORIS

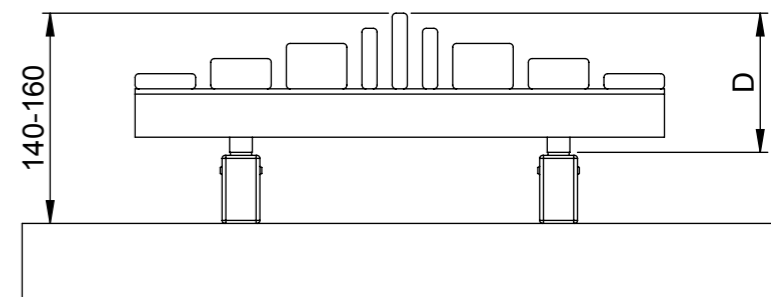
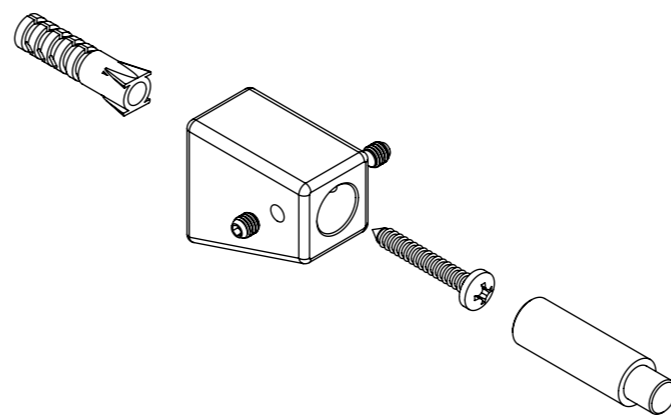
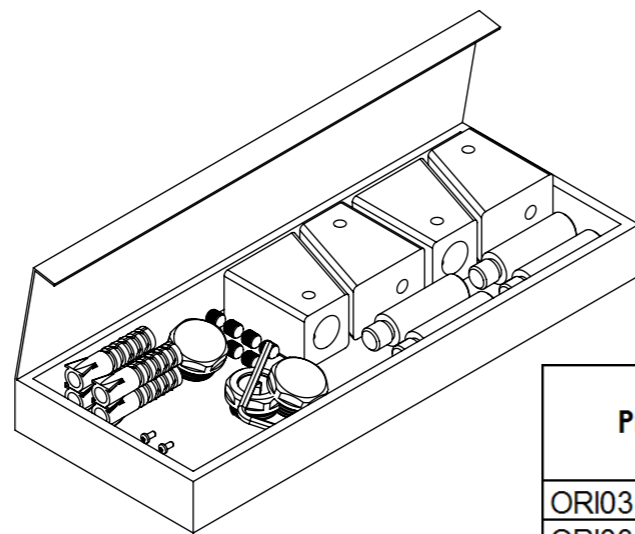
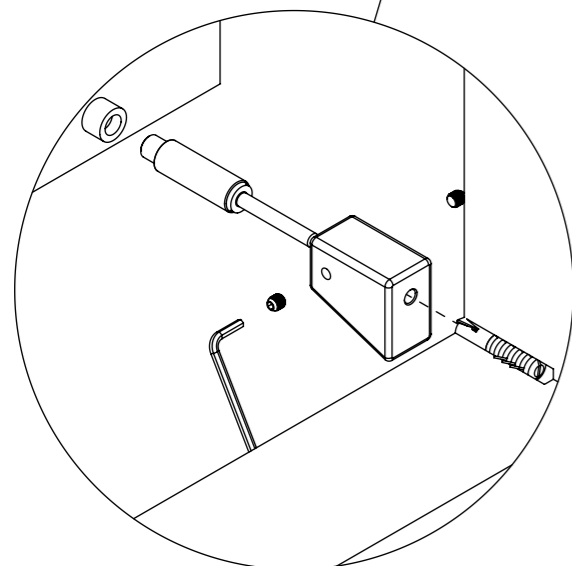
The contents of this document are property of **Termosan**® and should not be copied, reproduced or disclosed to a third party without written consent of the proprietor.

www.carisa.com.tr

www.termosan.com
info@termosan.com




carisa®
design radiator



Product Code	Width	Height	Depth	Connection Centers	Tube Quantity	Assembly Axis		Weight	Water Capacity
	W	H	D	C		S	L	kg.	lt.
ORI035010000909	350	1000	92	350	9	960	210	13,2	4,9
ORI035015000909	350	1500	92	350	9	1460	210	18,9	7,2
ORI035018000909	350	1800	92	350	9	1760	210	22,4	8,6
ORI035020000909	350	2000	92	350	9	1960	210	24,7	9,5