

KEOPS

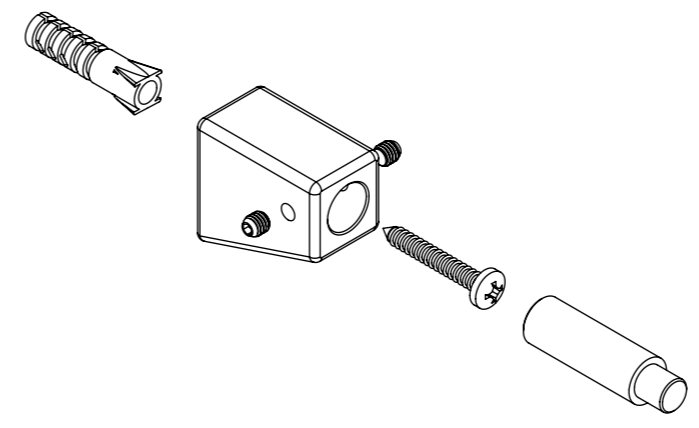
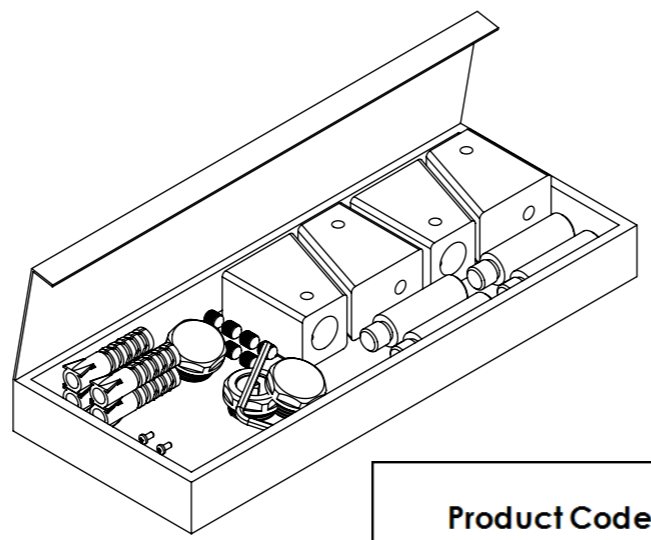
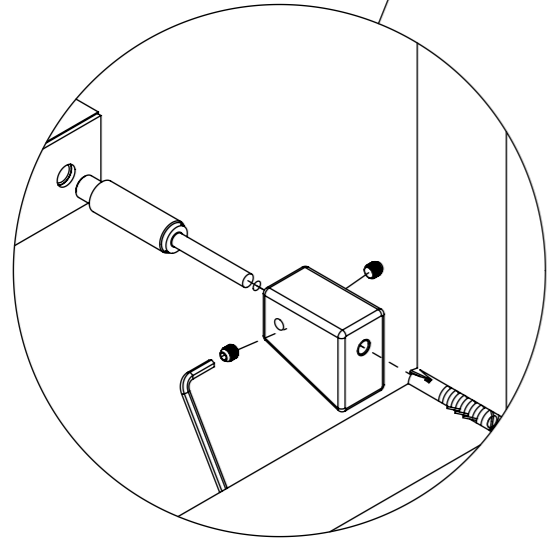
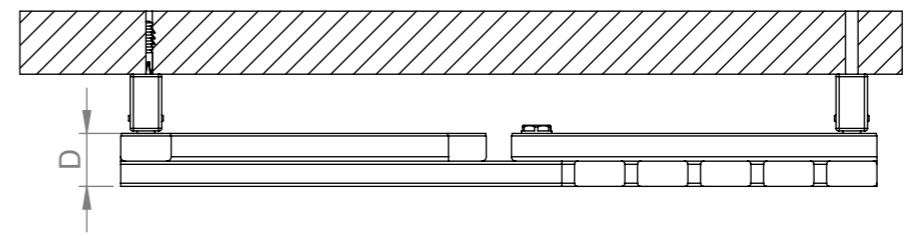
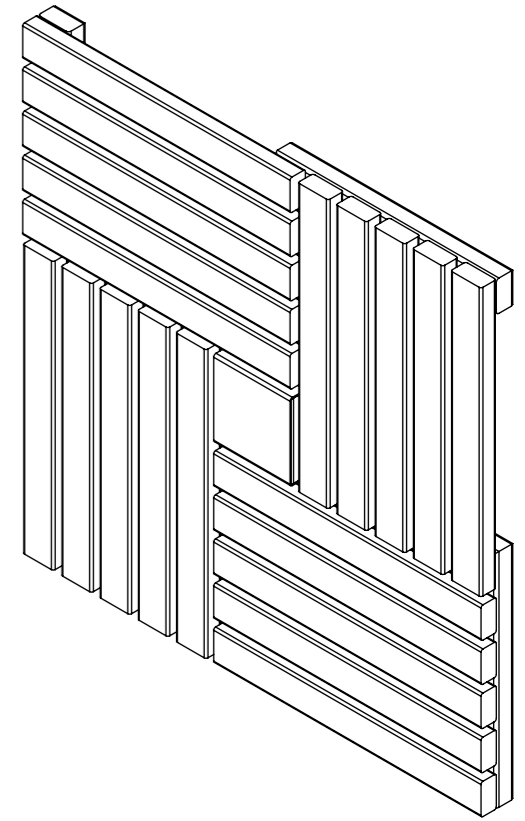
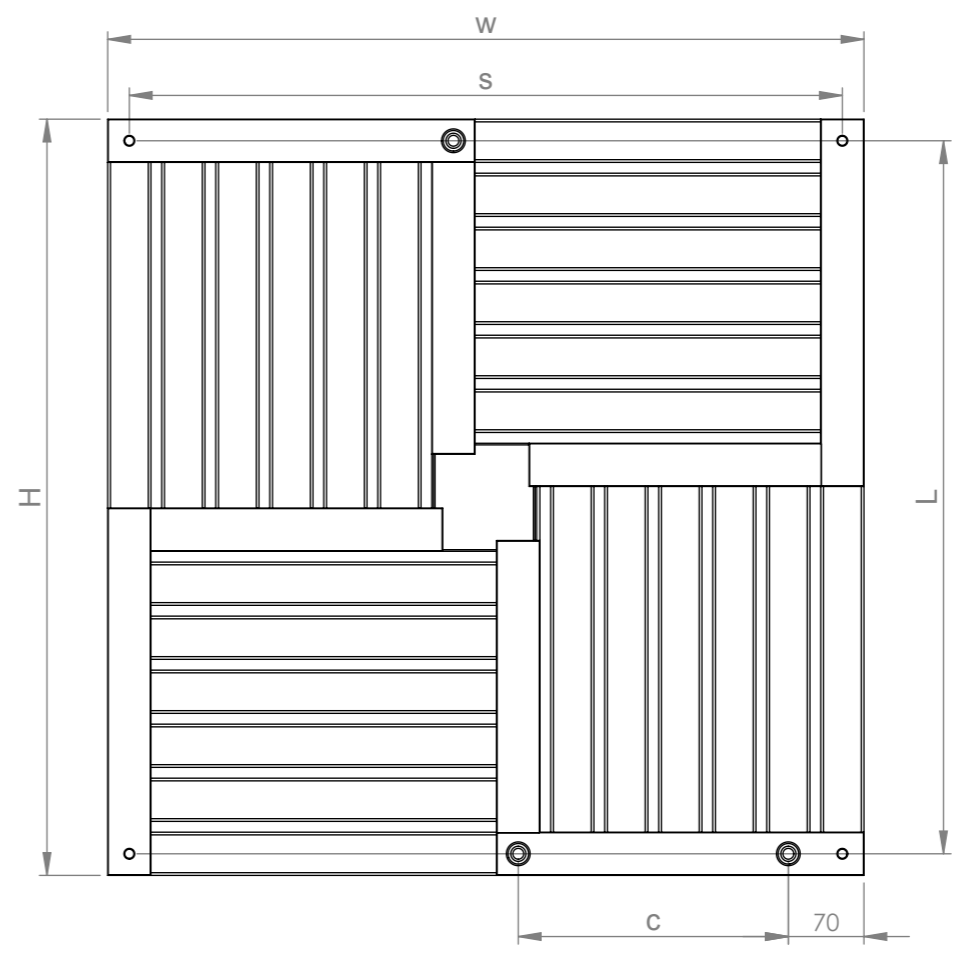
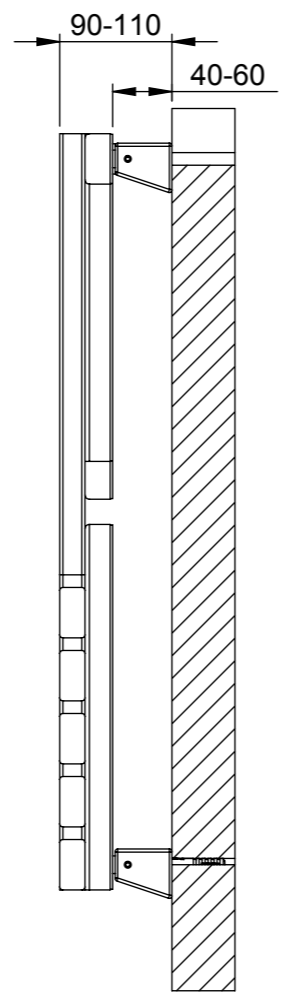
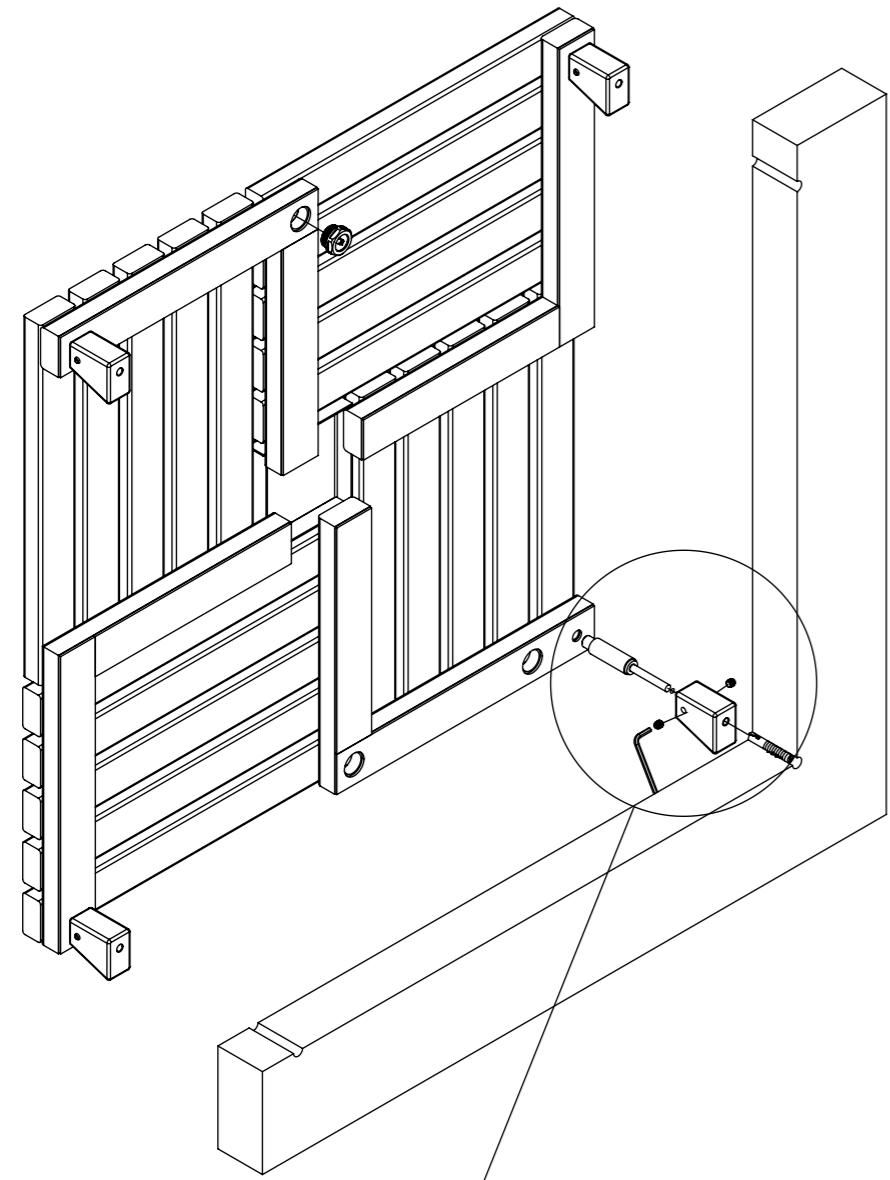


carisa
design radiator

The contents of this document are property of Termosan® and should not be copied, reproduced or disclosed to a third party without written consent of the proprietor.

www.carisa.com.tr

www.termosan.com
info@termosan.com



Product Code	Width	Height	Depth	Connection Centers	Tube Quantity	Assembly Axis		Weight	Water Capacity
	W	H	D	C		S	L	kg.	lt.
KEO060006002009	600	600	42	200	20	560	560	13,9	5,6
KEO070007002409	700	700	42	250	24	660	660	18,3	7,5
KEO080008002809	800	800	42	300	28	760	760	22,9	9,6